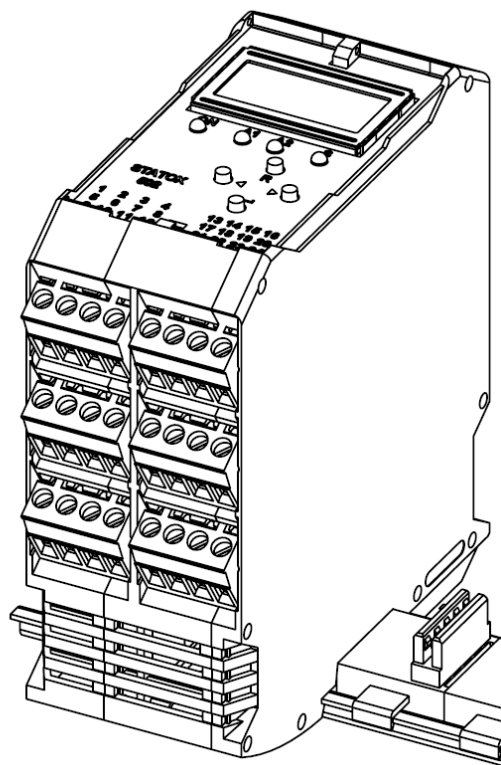


# Manual

## Stattox 502

### Control Module



Compur Monitors GmbH & Co. KG  
Weissenseestrasse 101  
D-81539 München  
Phone: +49 (0) 89 62038 268  
Fax: +49 (0) 89 62038 184  
[www.compur.com](http://www.compur.com)  
[compur@compur.de](mailto:compur@compur.de)

## Content

1	Safety notes .....	3
1.1	Warning Signs .....	3
2	Product description .....	4
3	Getting started .....	5
3.1	Mounting .....	5
3.2	Dismounting.....	6
3.3	Connecting to power supply .....	7
3.4	Start-up .....	7
4	Product characteristics.....	9
4.1	Controls.....	9
4.2	LEDs.....	9
4.3	Display.....	10
4.4	Communication bus .....	11
4.5	Electrical connections .....	11
4.5.1	Connecting the external reset and analog output .....	13
4.5.2	Connecting the internal relays .....	13
5	Stattox 502 main menu .....	14
5.1	Password.....	14
5.2	Main menu structure .....	15
5.3	Service Mode .....	16
6	Stattox 502 in Control Module Operation .....	16
6.1	Selecting the measuring program.....	16
6.2	Calibration.....	18
6.3	Reading the bridge voltage.....	20
6.4	Switching the sensor power supply off.....	21
6.5	Programming the alarm relays .....	22
7	Stattox 502 in Common Alarm Module Operation .....	24
7.1	Alarm relays configuration .....	25
8	Common menu items of the Stattox 502 .....	26
8.1	Functional test .....	26
8.2	Current output in Service Mode .....	28
8.3	Changing the operation mode – Control Module or Common Alarm Module .....	29
9	Connecting the sensor heads .....	30
10	Status- and error messages .....	32
10.1	Status messages.....	32
10.2	Error messages.....	33
10.3	Control Module - Status diagram .....	35
10.4	Common Alarm Module - Status diagram .....	35
11	Maintenance .....	36
12	Accessories.....	36
13	Functional Safety.....	36
14	Technical Data .....	37
15	Declaration of conformity .....	38

## 1 Safety notes

- Read and observe this manual prior to installation and start-up.
- The Statox 502 Control Module is only allowed to operate under the given ambient conditions (see Technical Data). In particular, it must not be operated in potentially explosive atmospheres!
- The Statox 502 Control Module must be operated, maintained and repaired by trained and expert personnel only. Use only Compur Monitors original parts for repair and maintenance.
- Do not connect the module directly to mains!
- Do not modify the product. Do not use if damaged or incomplete.
- When installing this product observe all local standards and regulations.
- Disregarding of the above points represents a danger to people and property.

### 1.1 Warning Signs



#### Potential Danger

Note on an immediate danger to people and property.

---



#### Advice

Extra information for the proper use of the product.

---

## 2 Product description

The Statox 502 Control Module can be used in two different modes:

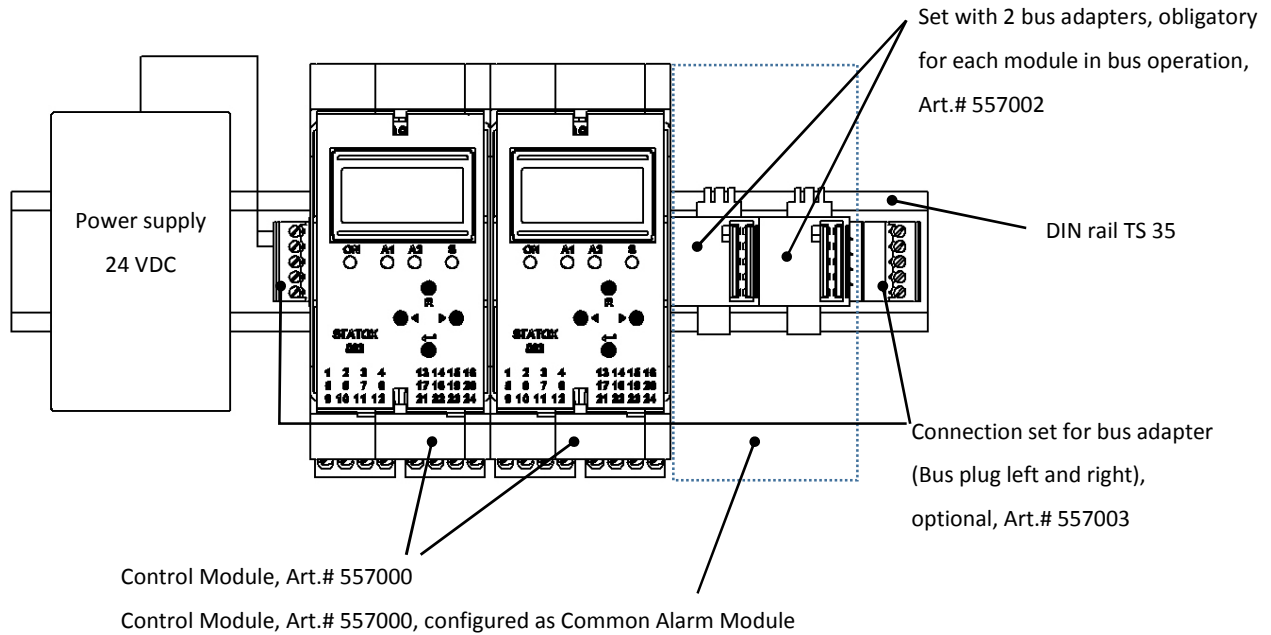
As a **Control Module** it supplies the sensor heads for toxic or combustible gases with energy and handles their signal. It can be configured for different gases and measuring ranges. The Statox 502 Control Module displays the concentration and converts it into a 4 – 20 mA signal at the analog output. If one of the programmed alarm thresholds is exceeded, the relevant LED goes on, the relevant relay switches and the relays status is communicated on the communication bus. The alarms can be set latching or non - latching. Latching alarms can be reset by pushing the reset button or by an external contact.

Please note:

- Sensor heads for toxic gases and oxygen (Statox 501/S and Statox 505) are protected in concept Ex i (intrinsic safety) and must be connected via an intrinsically safe repeater, as far as they are intended to be installed in a hazardous area (Zone 1 or 2).
- Sensor heads for combustible gases, CO<sub>2</sub> and VOC (Statox 501 HRC, ARE, LCIR, MCIR, Infratox, and PID) are protected in concept Ex e (enhanced safety) or Ex d (flameproof). They can be connected directly to the Control Module, even if they are intended to operate in Zone 1 or 2.

The Statox 502 can also be operated as **Common Alarm Module**. It collects the alarm signals (A1/A2/SF) of up to 25 connected control modules and generates a common alarm on LEDs, relays and its analog output. This way you can set up a multi - channel gas detection system. Prerequisite is that all modules are connected to each other via bus adapter. An Error from the Control Module or the connected sensor heads will appear on the respective Control Module as well as on the Common Alarm Module.

If power supply is provided via the optional bus plugs, it is possible to replace the modules during operation without effort.



**Figure 1: Requirements for bus operation, sample installation**

### 3 Getting started

The Stattox 502 control modules are designed for mounting on DIN rail TS 35. Due to the tilted mounting/dismounting of the modules the span between the outsides of the rail and the wall below and above the Stattox 502 Module must be at least 80 mm (3.15 "). Furthermore at least 120 mm (4.72 ") must be remain free between two rail lines.

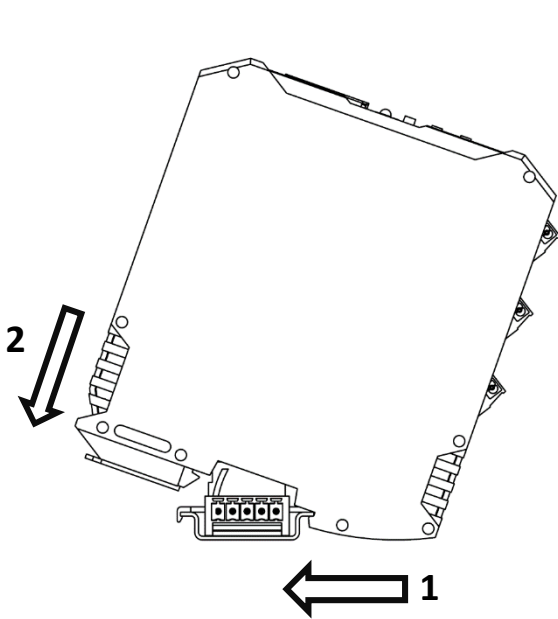
#### 3.1 Mounting



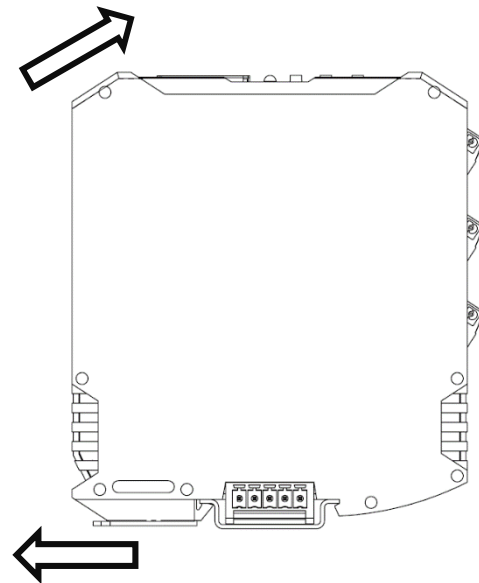
The Control Module can be operated without bus adapter, they will be mounted on the DIN rail as shown in **Figure 2**. In this case each module must be powered separately with 24 VDC.

1. Plug the bus adapters together and snap them on the DIN rail as shown in **Figure 1**.
2. Incline the module and move it to the lower part of the DIN Rail. See **Figure 2**.
3. Now push the module forward to the rail against the resistance of the spring lock, until you hear it snapping in.

You can combine modules of the Stattox 502 series in any sequence. Adding or removing one module has no impact on the others. You can save wiring effort starting with the power supply on the outside and connecting it to the bus. Alternatively the first module in a row can be connected to  $24 \pm 2$  VDC, the others will be supplied via bus. The power rail is rated for 30 modules max. in one row. You can interconnect multiple rows with the optional bus plugs (Connection set Art.# 557003, 1 set per rail is needed). For further information see Accessories list **chapter 12**.



**Figure 2: Mounting to DIN rail**



**Figure 3: Dismounting from DIN rail**

### 3.2 Dismounting

Pull the spring lock with a screw driver and incline the module simultaneously, see **Figure 3**. This can be done under operating conditions.

### 3.3 Connecting to power supply

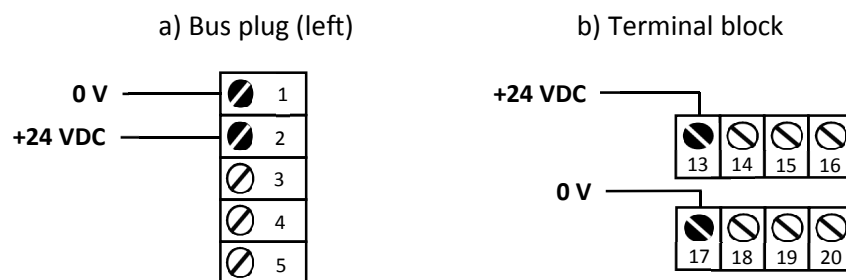


Do not connect the module directly to mains! Do not short circuit terminals! Both can destroy the module!

There are two options connecting the **24 VDC** power supply, see **Figure 4**.

- a) Via bus plug to the communication bus
- b) Directly to the relevant Stattox 502 Control Module terminal

In both cases all subsequent modules are automatically connected to the power supply via bus. The terminals are rated to take a max. diameter of 2,5 mm<sup>2</sup>. The module starts operating as soon as it is connected to power.



**Figure 4: Connecting the power supply**

### 3.4 Start-up



In any case make sure to select the appropriate program **prior** to connecting the sensor head. Otherwise the sensor can be damaged.

Ex works the Stattox 502 is configured to operate as Control Module. After connection to power, it performs a self-test. It displays the firmware version, then for 5 seconds the actual measuring program, then “PLEASE WAIT”. The module remains in the system fail mode until the measuring mode has successfully been activated. During this process the red LED “S” is on.

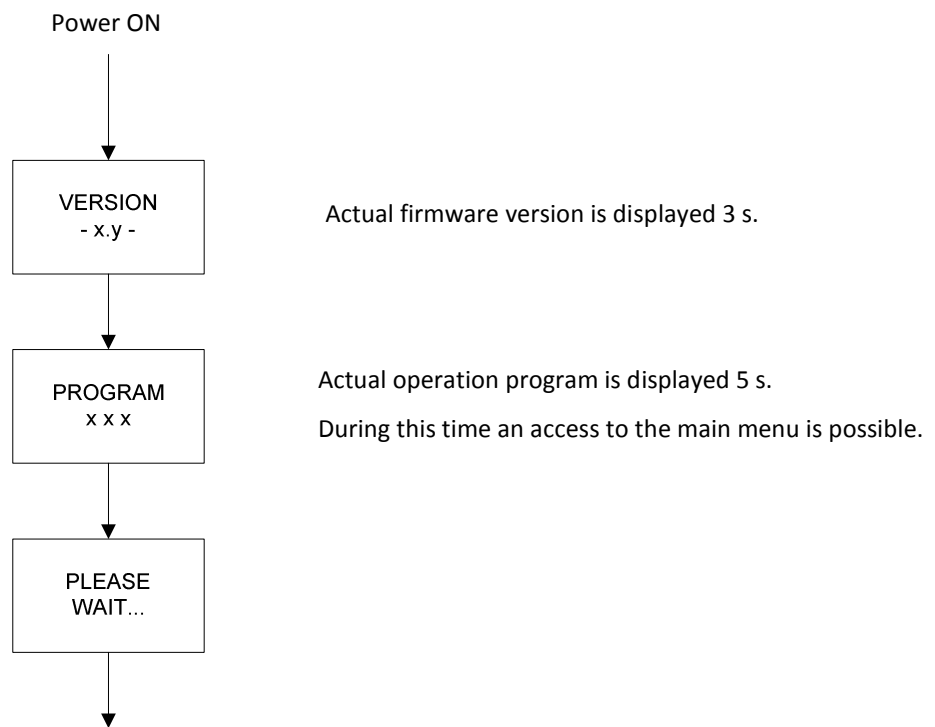
If no sensor head is connected, an error message is generated (ERROR 2 or ERROR 5, depending on measuring program). In this case activate the appropriate program as described in **chapter 6.1**. Then connect the sensor head as described in **chapter 9**.

If a sensor head has been connected and the appropriate program has been selected, the measuring mode will start.



Sensor heads for combustible gases, type HRC, ARE, LC IR, MC IR and PID must be calibrated after being connected.

Exception: A line calibration has been done by Compur.



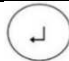
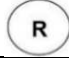


**Figure 5: Start-up sequence**



## 4 Product characteristics

### 4.1 Controls

The Stattox 502 has four push buttons.

Button		Function
	Enter	Enter.
	Reset	Deletes wrong entries, resets the alarm relays, goes one step back in the menu.
	Left*)	Navigates left in the menu, reduces a programmed figure, changes the first display line when in the measuring mode.
	Right*)	Navigates right in the menu, increases a programmed figure, changes the first display line when in the measuring mode.

\*) In some menus a continuous push activates the fast mode

### 4.2 LEDs

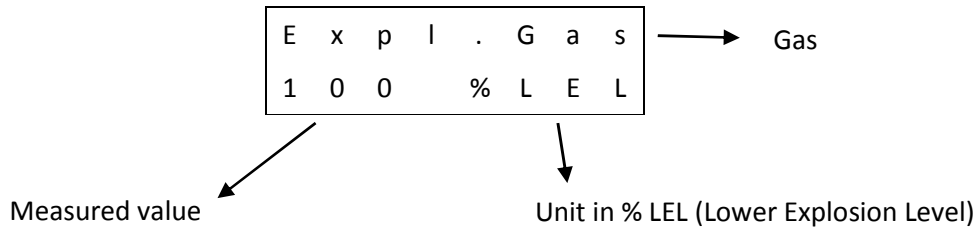
The Stattox 502 has 4 status LEDs. The function of the individual LEDs is subsequently explained.

Description	LED	Function
ON	Green	Power supply: „ON“ Power ON „OFF“ Power voltage off or too low
A1	Yellow	Relays 1: Alarm threshold exceeded
A2	Yellow	Relays 2: Alarm threshold exceeded
S	Red	Failure or service request: „Flashing“ Service Mode „ON“ System Failure „OFF“ Measuring mode

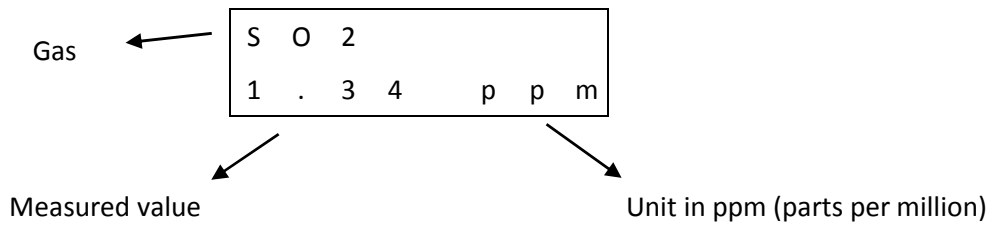
### 4.3 Display

In the measuring mode the display shows the target gas, the actual measured value and the unit.

Example 1 (Combustible gas)

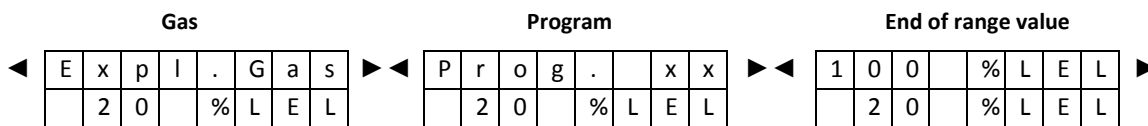


Example 2 (Toxic gas)



In case of an over range exposure, the full scale value is going to flash.

The ► - or ◀ -Button change the content of the upper line to display the actual program and the end of range value. After 20 seconds the display goes back to the standard content – the target gas.



## 4.4 Communication bus

The bus interfaces the 24 V-power supply and the alarm signals from one module to the next.

A Common Alarm Module can evaluate the alarm signals.

Bus ports	Description
0 V	Zero - 0 V
+24 V	Positive $24 \pm 2$ VDC
A1	Exceeding alarm threshold 1 sets the signal on terminal A1 to Low(0V)
A2	Exceeding alarm threshold 2 sets the signal on terminal A2 to Low(0V)
SF	A system failure sets the signal on terminal SF to Low (0V)

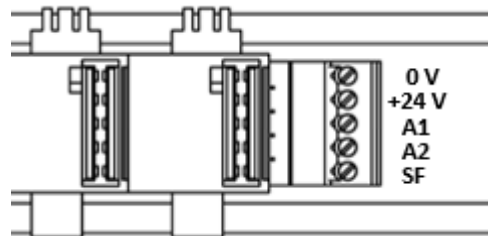


Figure 6: Bus terminals

## 4.5 Electrical connections



The Stattox 502 operates at  $24 \pm 2$  VDC. Higher voltage or short circuits on the terminals may destroy the module.

The terminals are pluggable. To remove the terminal blocks, set the screwdriver directly over the screws and press the block to the front side.

The terminals can take cable diameters up to 2.5 mm<sup>2</sup>.

Terminal	Contact	Function	
1	External Reset	Remote Reset	
2	GND (External Reset)		
3	0 – 22 mA analog output	Analog output	
4	GND (0 - 22 mA output)		
*	5	Sensor voltage -	Sensor head power supply
*	6	Sense -	Negative sense-lead for 5 wire operation
*	7	Sensor voltage +	Sensor head power supply
**		19 ± 1 V Voltage output	Sensor head power supply without repeater
*	8	Sense +	Positive Sense-lead for 5 wire operation
*	9	Bridge voltage	Signal (mV)
**	10	0 – 22 mA Current input	Signal (mA)
**	11	24 ± 1 V Voltage output	Sensor head power supply with repeater
***	12	GND	GND
	13	24 V Power supply	Power supply
	14	Relay SF NC	System failure relay - break contact
	15	Relay SF NO	System failure relay - make contact
	16	Relay SF C	System failure relay - central contact
	17	GND	Power supply negative
	18	Relay A2 NC	Alarm relay 2 – break contact
	19	Relay A2 NO	Alarm relay 2 – make contact
	20	Relay A2 C	Alarm relay 2 – central contact
**	21	24 ± 1 V Voltage output	Sensor head power supply with repeater
	22	Relay A1 NC	Alarm relay 1 – break contact
	23	Relay A1 NO	Alarm relay 1 – make contact
	24	Relay A1 C	Alarm relay 1 – central contact

\* Sensor heads type

- Stattox 501 HRC
- Stattox 501 ARE
- Stattox 501 LCIR
- Stattox 501 MCIR
- Stattox 501 PID

\*\* Sensor heads type:

- Stattox 501/S
- Stattox 501 Infratox
- Stattox 505

\*\*\* Sensor heads type:

- Stattox 501 Infratox
- Stattox 505

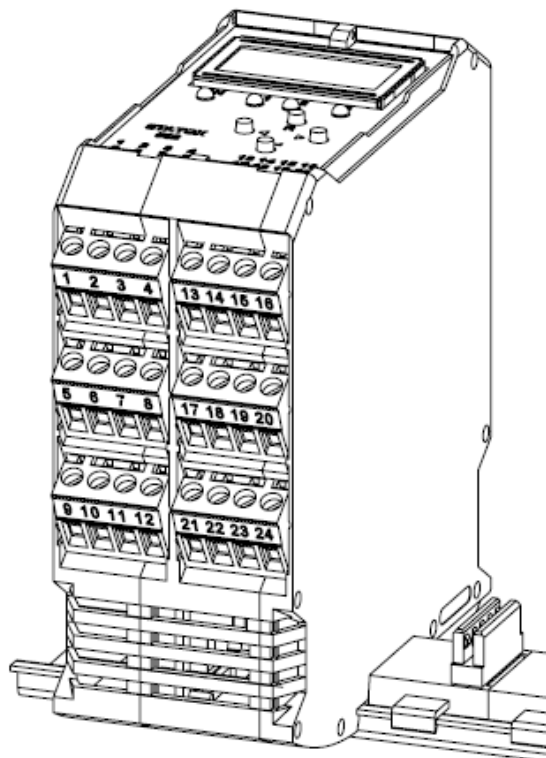


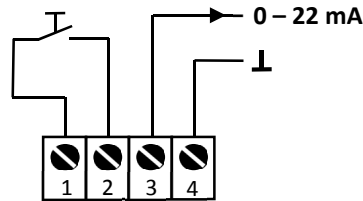
Figure 7: Pluggable terminal blocks with terminal numbers

#### 4.5.1 Connecting the external reset and analog output

A GND-signal on terminal 1 initiates a reset just as pushing the RESET button.

The analog output generates a current analog to the actual measured value with 4 mA corresponding to zero and 20 mA to end of scale. A measured value higher than end of scale generates 22 mA.

A system failure causes a current of 0 mA, the service mode causes a current of 2 or 4 mA (selectable).



**Figure 8: Connections external reset and analog output**

#### 4.5.2 Connecting the internal relays

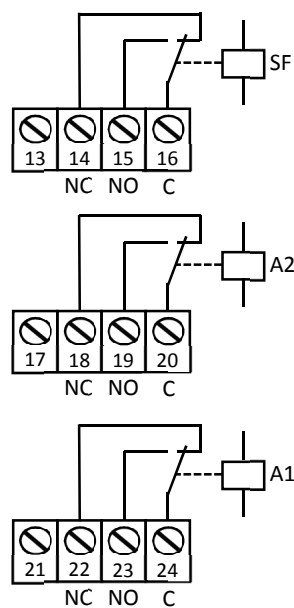
Stattox 502 has three relays, each equipped with one make and one break contact. Two relays monitor alarm threshold exceeding, one system failure.



System failure relay: The SF-relay coil is always active and drops out in case of a system failure or voltage drop.

The alarm relay parameters can be set in the main menu. The SF-relay settings cannot be changed.

**Figure 9** shows the contacts:



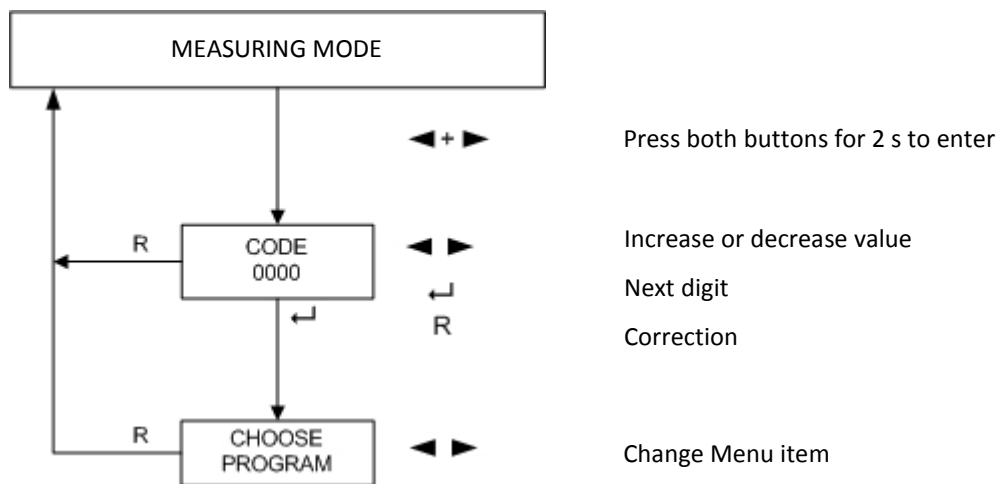
**Figure 9: Relay contacts (coil de-energized)**

## 5 Stattox 502 main menu

### 5.1 Password

The main menu is password protected. No matter if in the measuring, the failure or the start mode: below procedure gives access to the main menu.

The password is: **1994 (not changeable)**



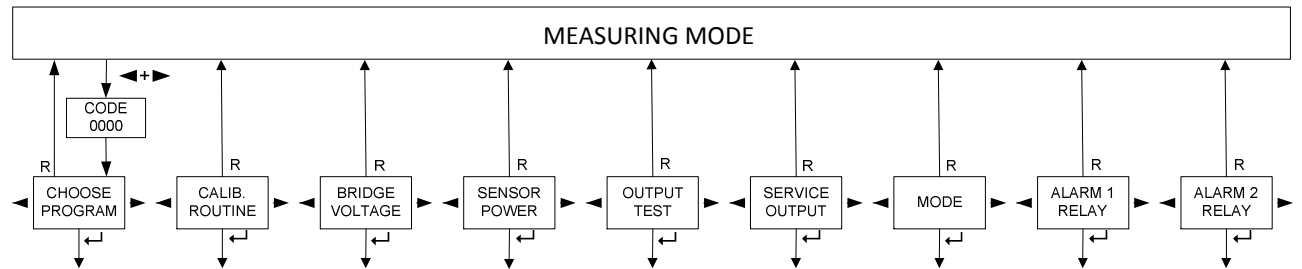
**Figure 10: Password menu**

1. Push ◀- and ▶ -button together for 2 s.
2. Enter the first digit with ◀- or ▶ . Use the Reset button for corrections.
3. Confirm with Enter.
4. Continue with the next 3 digits the same way.
5. After confirming the last digit with Enter you have access to the main menu, provided the correct password has been entered.

If message „CODE INVALID“ appears, a wrong password has been entered. Try again after two seconds.

## 5.2 Main menu structure

After pushing ◀- and ▶-button together for 2 s and entering the password, you have access to the main menu. It is structured as a ring with 9 different submenus in which you can set parameters or perform a calibration. See **Figure 11**. Pushing the Reset-button always brings you back into the measuring mode.



**Figure 11: Main menu structure**

Submenu	Description	Page
CHOOSE PROGRAM <sup>1)</sup>	Selecting the appropriate program for the relevant sensor head	16
CALIB. ROUTINE <sup>1) 2)</sup>	Calibration with gas	18
BRIDGE VOLTAGE <sup>1) 2)</sup>	Monitoring the bridge voltage in mV	20
SENSOR POWER <sup>1) 2)</sup>	Switch the sensor power supply off	21
OUTPUT TEST	Test of the LEDs, relays, alarms and the analog output	26
SERVICE OUTPUT	Setting of the analog output in the service mode	28
MODE	Altering the operation mode (Common Alarm Module or Control Module)	29
ALARM 1 RELAY	Setting Alarm 1 relays parameters	23
ALARM 2 RELAY	Setting Alarm 2 relays parameters	23

<sup>1)</sup> no access if the Stattox 502 is operated as Common Alarm Module.

<sup>2)</sup> no access if a program for the operation of Stattox 501/S, Stattox 501 Infracox and Stattox 505 is active.



„MENU NOT ACTIVE“ will be shown for 2 s if a menu is not accessible in the actual mode or program.

### 5.3 Service Mode

As soon as the menu is entered, the module goes into the service mode. The LED „S“ is flashing, the analog output and the relays are not active.

If no button is pushed within 30 seconds, the module returns to measuring mode. This Time-out it **not active**

- During zero adjustment and calibration in the menu „CALIB ROUTINE“
- When switching the sensor head power supply on or off in the menu „SENSOR POWER“ (Display shows „SENSOR ON“ or „SENSOR OFF“)
- During the program selection in the menu „CHOOSE PROGRAM“
- During the bridge voltage is displayed in the menu “BRIDGE VOLTAGE”.

## 6 Stattox 502 in Control Module Operation

The sensor heads for toxic gases, oxygen or combustible gases measure the concentration of the target gas in the field. Stattox 502 evaluates the signal and displays the value. Any alarm threshold exceeding is signaled by an LED and the alarm relays is activated. The alarm is also communicated on the bus.

### 6.1 Selecting the measuring program

In this menu the appropriate measuring program can be selected. The program defines the target gas, the measuring range, the concentration window for span gas and the ex - works settings of the relays. See an overview of all available programs in the program listing enclosed with each module.



In any case the first step is always to select the appropriate program. This must be done before the sensor head is connected, otherwise the sensor can be damaged.

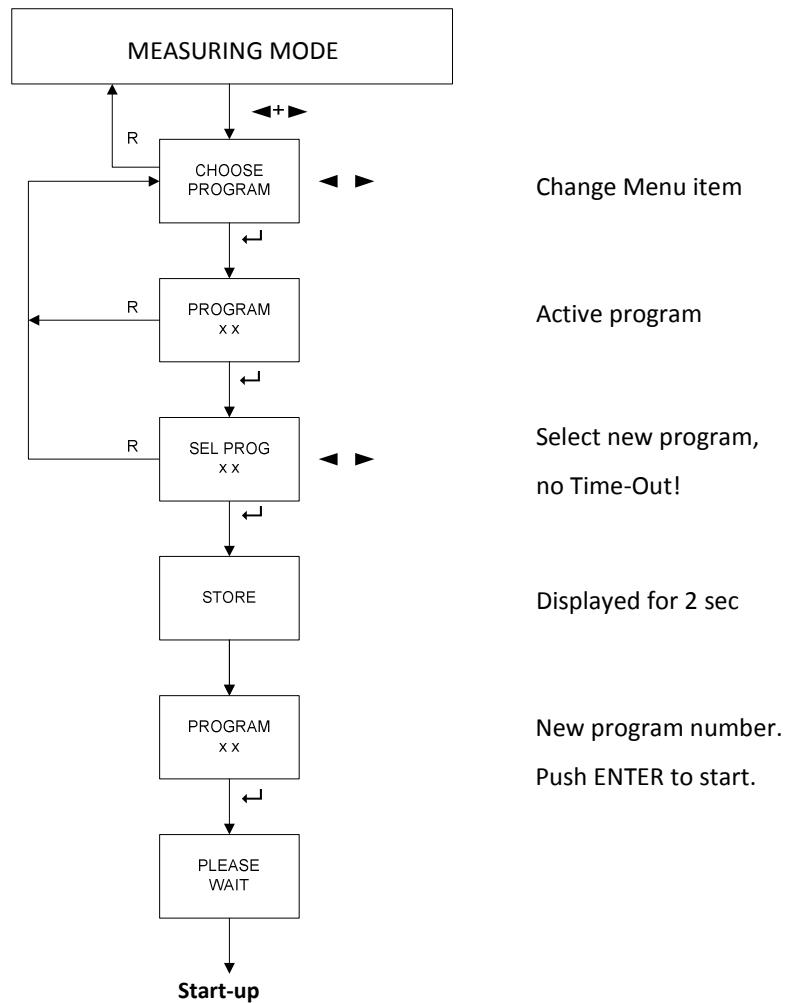
---



If a new program is selected, the alarm settings and relay configurations according to the program listing are valid and the calibration data for the sensor heads for combustible gases, type HRC, ARE, LCIR and MCIR will be erased. A new calibration is necessary.

---





**Figure 12: Program selection diagram**

1. Push the  $\leftarrow$  - button to enter the „CHOOSE PROGRAM“ menu.
2. The active program is shown on the display.
3. Push the  $\leftarrow$  - button to start the program selection

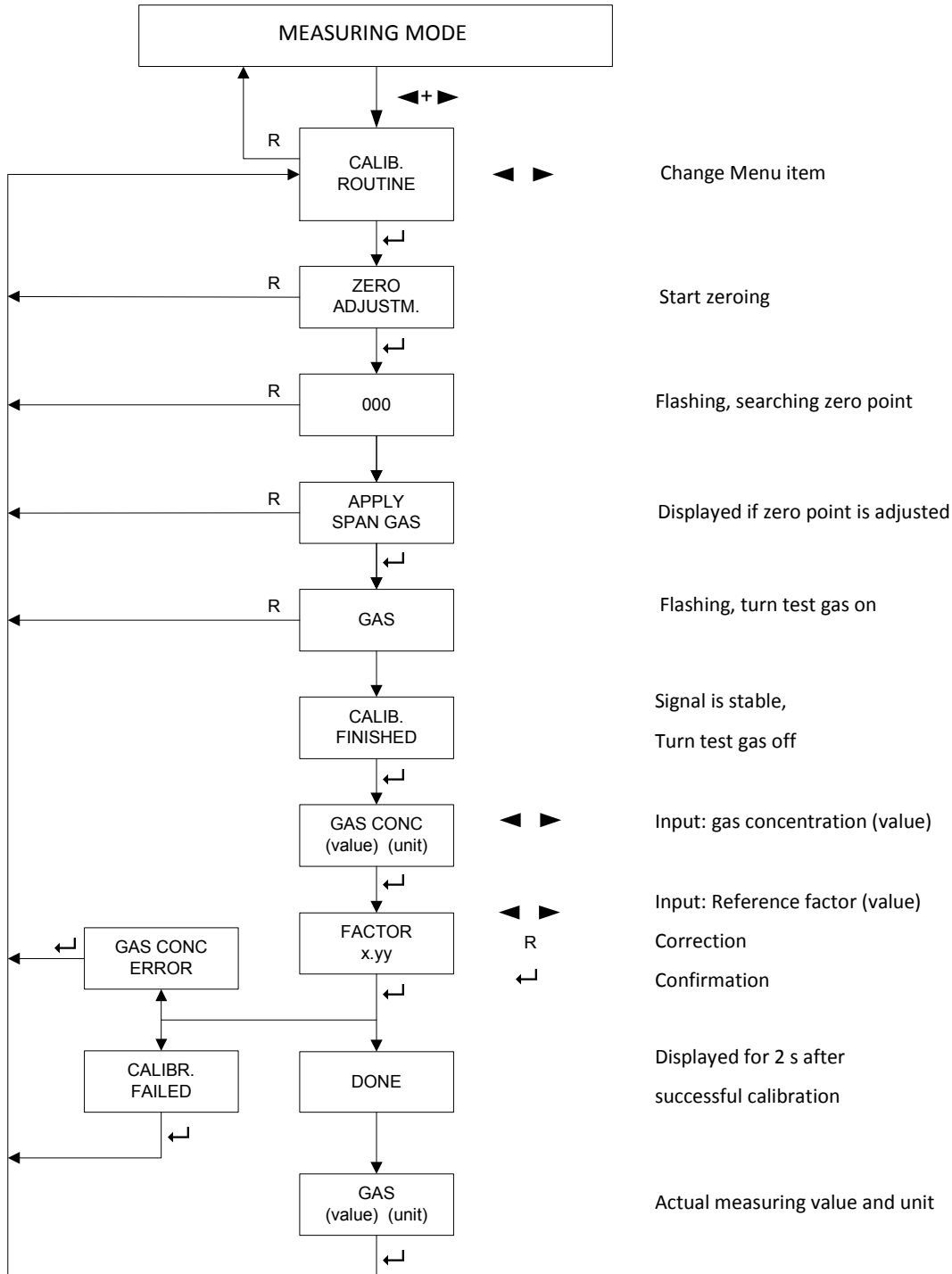


Now the Time-Out is deactivated!

4. Select your program with the  $\leftarrow$ - or  $\rightarrow$ - button. Push and hold  $\leftarrow$ - or  $\rightarrow$  for the fast mode.
5. Confirm by pushing the  $\leftarrow$ - button.
6. The display shows „Store“ for 2 seconds.
7. Then the number of the new program is shown.
8. Confirm by pushing the  $\leftarrow$  - button to start measuring with the new program.

## 6.2 Calibration

In this menu you can perform a calibration of sensor heads type Stattox 501 HRC, ARE, LCIR, MCIR and PID detecting combustible gases, carbon dioxide (CO<sub>2</sub>) and volatile organic compounds (VOC). The test gas concentration must be within the permitted range, see program listing.



**Figure 13: Calibration menu diagram**

1. Enter the menu „CALIB. ROUTINE“ by pushing ↵.
2. The display shows: „ZERO ADJUSTM.“



Beginning with step 3, the automatic Time-out is not active.

---

3. Push the ↵ - button. Display: „000“ flashing. The Control Module adjusts the actual zero point. Therefore this procedure must be performed in clean or synthetic air.
4. „APPLY SPAN GAS“ tells you, that the zero point has been found and saved.
5. Make sure you have the appropriate test gas on hand. Push the ↵ -button. Display: „GAS“ - flashing. Connect the test gas adapter and turn on the gas. The module starts searching a stable signal.



Make sure that sufficient test gas is available. If no test gas is applied or there is not enough test gas for the adjustment in the cylinder, the module reports “ERROR 8”.

---

6. „CALIB. FINISHED“ tells you that the signal is stable – a plateau has been found. Turn off the gas.
7. Push the ↵ - button.
8. In case the display does not show the concentration of the gas cylinder, adjust it by pushing the ◀- or ▶ - button. Push and hold ◀- or ▶ for speed mode. Entering the concentration must be carried out in the respective display unit, e.g. combustible gases are shown in % LEL. See the last column of the program listing. Confirm with Enter.
9. If needed you can enter a reference factor for the Statox 501 HRC, ARE and PID sensor heads. Program it with the ◀- or ▶- button. If you need to correct your entry, push „Reset“. How to use response factors is described in the relevant sensor head manual. If **no factor** needs to be programmed, leave the value at **1.00**.
10. Close the menu with Enter.
  - a) Display: „**GAS CONC ERROR**“: (only possible if the response factor is not 1). This tells you that the product (response factor \* span gas concentration) is not within the permitted range for span gas. Confirm with ↵. This brings you back into the main menu. Check the input for reference factor and gas concentration and accordingly use a test gas with suitable concentration for recalibration.
  - b) Display: „**CALIBR. FAILED**“:  
Calibration failed, because the calculated plateau signal is too low. Confirm with ↵-button. This brings you back into the main menu. Check the values for response factor and gas concentration. Repeat the calibration with a test gas with higher concentration or replace the sensor.
  - c) Display „**DONE**“:  
The calibration was successful. After 2 s the display changes.

11. The display will now show the actual measured value with unit.



In order to avoid unrequested alarms make sure the signal created by the test gas has dropped below the alarm threshold prior to returning into the measuring mode.

12. Confirm with ↵ to return to the main menu.

13. Return into the measuring mode by pushing Reset.

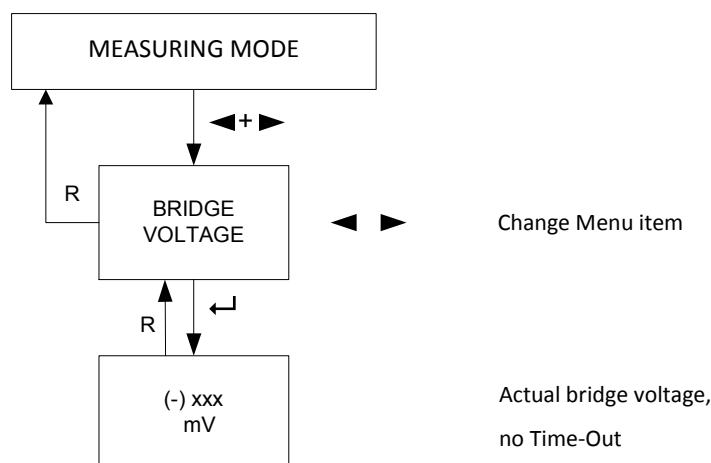


If the calibration has not been completed successfully (ERROR 8, CALIBR. FAILED or GAS CONC ERROR), the module will continue with the most recent valid data. The display shows alternating „CALIB. FAILED“ and the measured value. A new calibration should be done as soon as possible.

### 6.3 Reading the bridge voltage

Active in the programs for Statox 501 HRC, ARE, LCIR, MCIR, PID sensor heads.

The current bridge voltage of the sensor can be displayed.



**Figure 14: Bridge voltage menu diagram**

1. In the menu „BRIDGE VOLTAGE“ push ↵.
2. The actual bridge voltage is displayed.

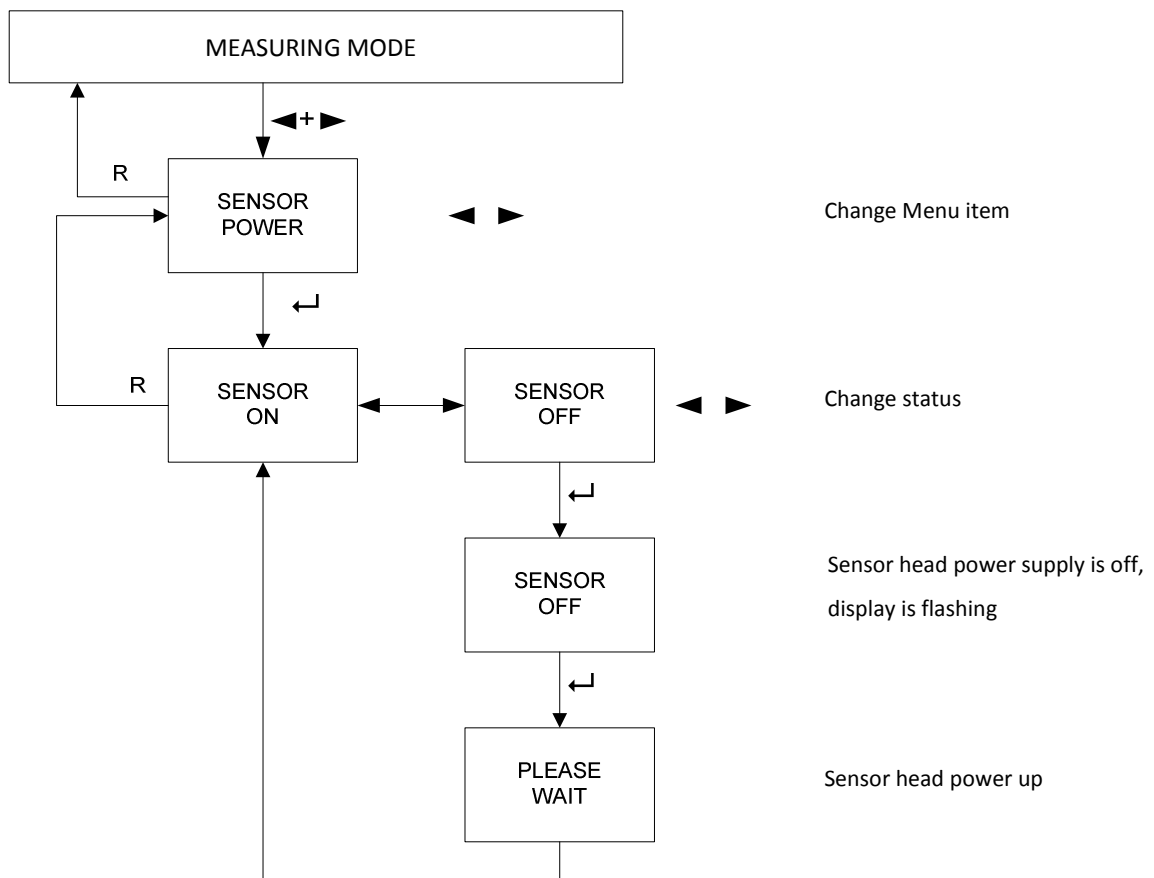


During this procedure the automatic Time-out is not active.

3. Push Reset to return to the main menu and again to return to measuring mode.

## 6.4 Switching the sensor power supply off

This menu is active for Statox 501 HRC, ARE, LCIR, MCIR, PID sensor head programs. It disconnects the sensor head for service purposes.



**Figure 15: Diagram sensor head deactivation**

1. Enter the menu „SENSOR POWER“ by pushing ↵.
2. Display „SENSOR ON“.



Up to step 7 the automatic Time-out is not active.

---

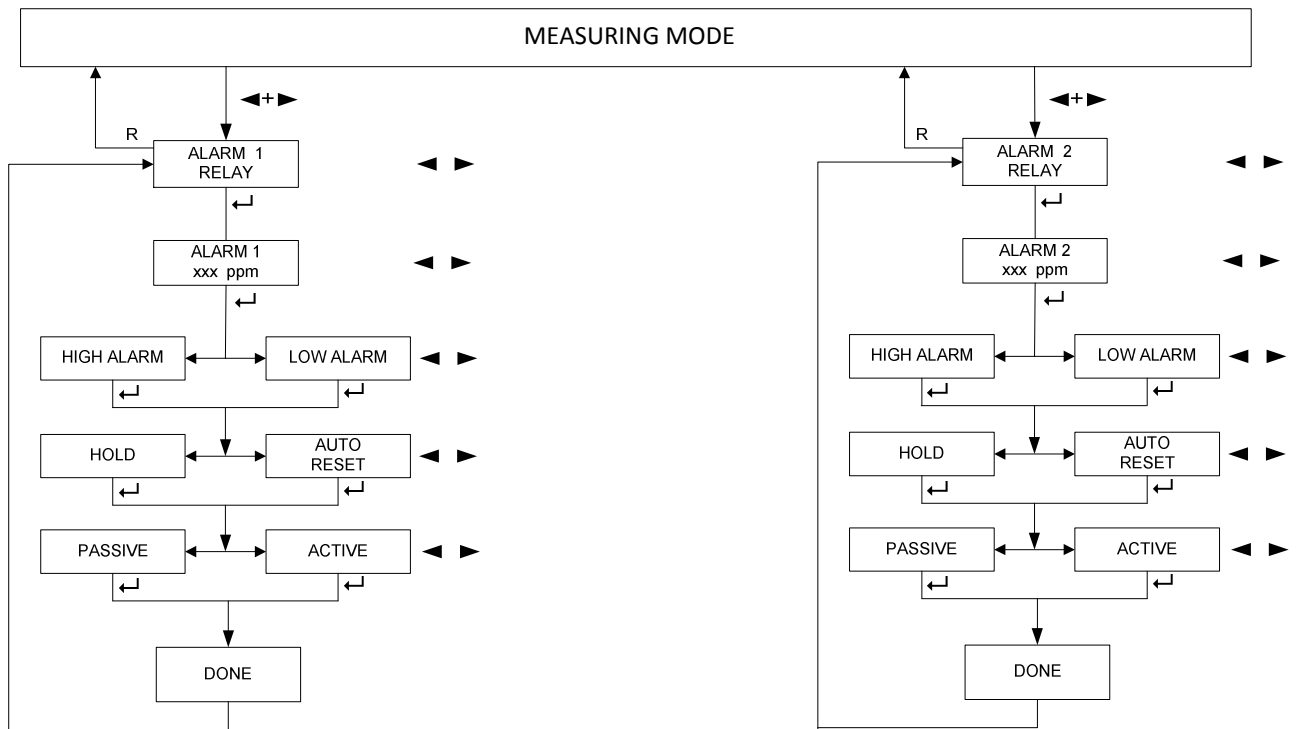
3. Change the status of the sensor head power supply with ◀- or ▶.
4. Confirm with Enter.
5. „SENSOR OFF“ flashing tells you that the sensor head power supply is off.
6. Push ↵ to switch the power supply on again.
7. „SENSOR ON“ tells you that the sensor head power supply is on.
8. Push Reset to return to the main menu and again to return to measuring mode.

## 6.5 Programming the alarm relays

In this menu you can set parameters of the alarm relays A1 and A2:

1. Alarm thresholds
2. High or low alarm
3. Latching (HOLD) or non-latching (AUTO RESET)
4. Coil active (ACTIVE) or non-active (PASSIVE)

If an alarm threshold is exceeded, the LEDs A1 and A2 are on, and the relays switch. Alarms can be reset, provided the reason for the alarm has disappeared. If the alarms have been programmed to be latching, you have to push reset button or use the external reset to delete the alarm message. For additional information see chapter 4.5.1.



**Figure 16: Control Module - alarm relays setting**

1. Enter the menu „ALARM 1 RELAY“ or „ALARM 2 RELAY“ by pushing ↵.  
The procedure is identical for both relays.



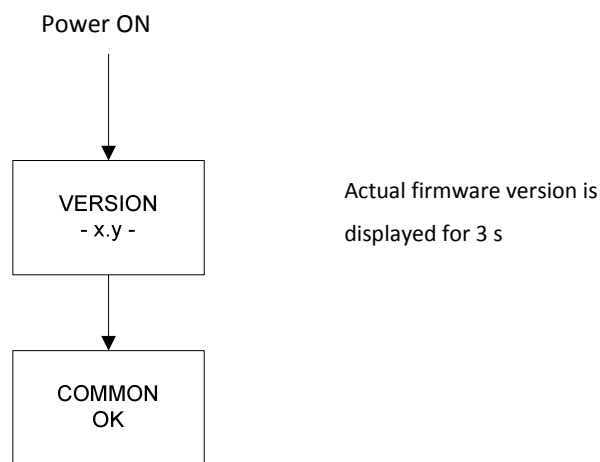
With the next alarm the new settings will be effective.

2. Program the alarm threshold with ◀- or ▶. Push and hold ◀- or ▶ button for speed mode.
3. Confirm with Enter.
4. Select an alarm type with ◀- or ▶.
5. Confirm with Enter.
6. Select a Reset-setting (latching or non-latching) with ◀- or ▶.
7. Confirm with Enter.
8. Select a relay setting with ◀- or ▶.
9. Confirm with Enter.
10. Display „DONE“ for 2 seconds.
11. The program returns automatically to the main menu.
12. Push Reset to return to the measuring mode.

## 7 Statox 502 in Common Alarm Module Operation

The ex-works setting of the Statox 502 is Control Module mode. See chapter 8.3 for changing to Common Alarm mode.

After being connected to power, the Statox 502 performs a self-test. Then the display shows the actual firmware code. As far as there is no alarm signal on the bus, the display shows „COMMON OK“.



**Figure 17: Start procedure in Common Alarm mode**

When operating in common alarm mode, the module monitors the status of up to 25 control modules connected to the bus. As soon as one control module generates an alarm, the common alarm modules LEDs, relays, LCD and analog output go into the alarm status.

Alarm on Bus	Status	Analog output	Display
	Normal	4 mA	COMMON OK
A1	Alarm 1	12 mA	COMMON ALARM 1
A2	Alarm 2	16 mA	COMMON ALARM 2
SF	System failure	0 mA	COMMON FAILURE
	Service Mode	2 or 4 mA	(main menu)

If several alarms occur at the same time, the priority is:

**Service Mode > A2 > A1 > SF**



Example:

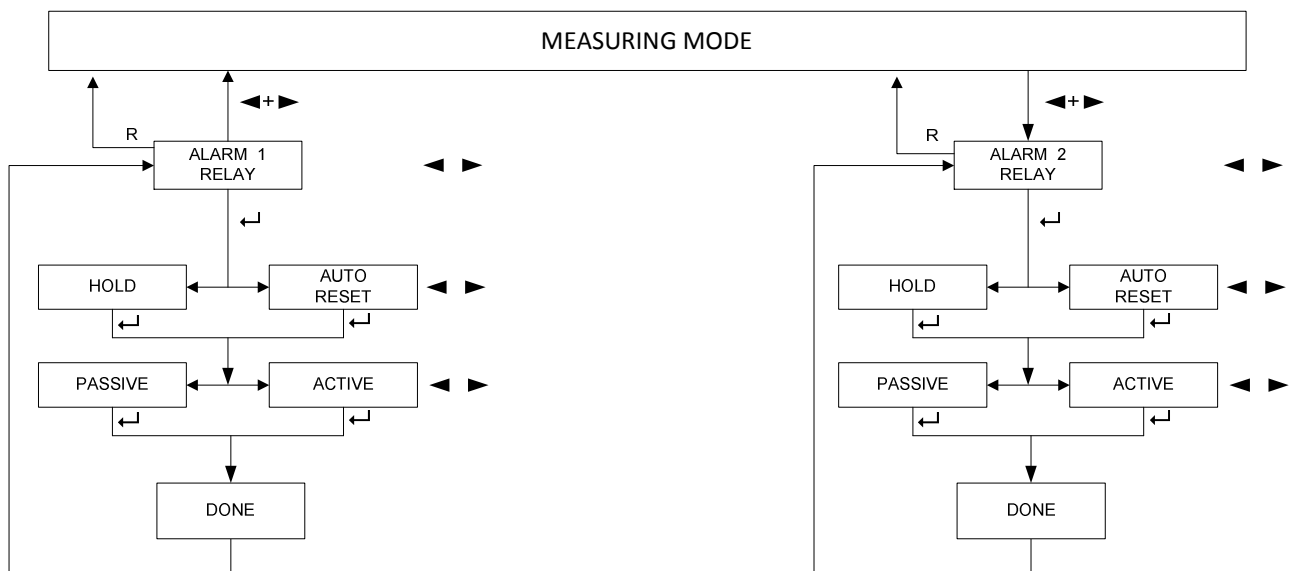
On the bus are 3 control modules and 1 common alarm module. The first control module is in alarm 1 status, the second control module is in alarm 2 status, and the third control module submits system failure. All LEDs and relays on the common alarm module will be activated, the analog output will generate 16 mA, and the display will show „COMMON ALARM 2“.

### 7.1 Alarm relays configuration

In the menu you can set the parameters of alarm relays A1 and A2:

1. Latching (HOLD) or non-latching (AUTO RESET)
2. Coil active (ACTIVE) or passive (PASSIVE) in case of an alarm.

As long as an alarm is submitted via bus, the relevant LEDs are on and the corresponding relays are switched. If an alarm threshold is exceeded, the LEDs A1 and A2 are on, and the relays switch. Alarms can be reset, provided the reason for the alarm has disappeared. If the alarms have been programmed to be latching, you have to push reset button or use the external reset to delete the alarm message. For additional information see chapter 4.5.1.



**Figure 18: Common Alarm Module - alarm relays setting**

1. Enter the menu „ALARM 1 RELAY“ or „ALARM 2 RELAY“ by pushing the ↵-button.

The procedure is identical for both relays.



With the next alarm the new settings will be effective.

---

2. Select a Reset-setting (latching or non-latching) with ◀- or ▶.
3. Confirm with Enter.
4. Select the relay setting with ◀- or ▶.
5. Confirm with Enter.
6. Display: „DONE“ for 2 seconds.
7. The module returns now automatically into the main menu.
8. Push the reset button to return to the measuring mode.

## 8 Common menu items of the Stattox 502

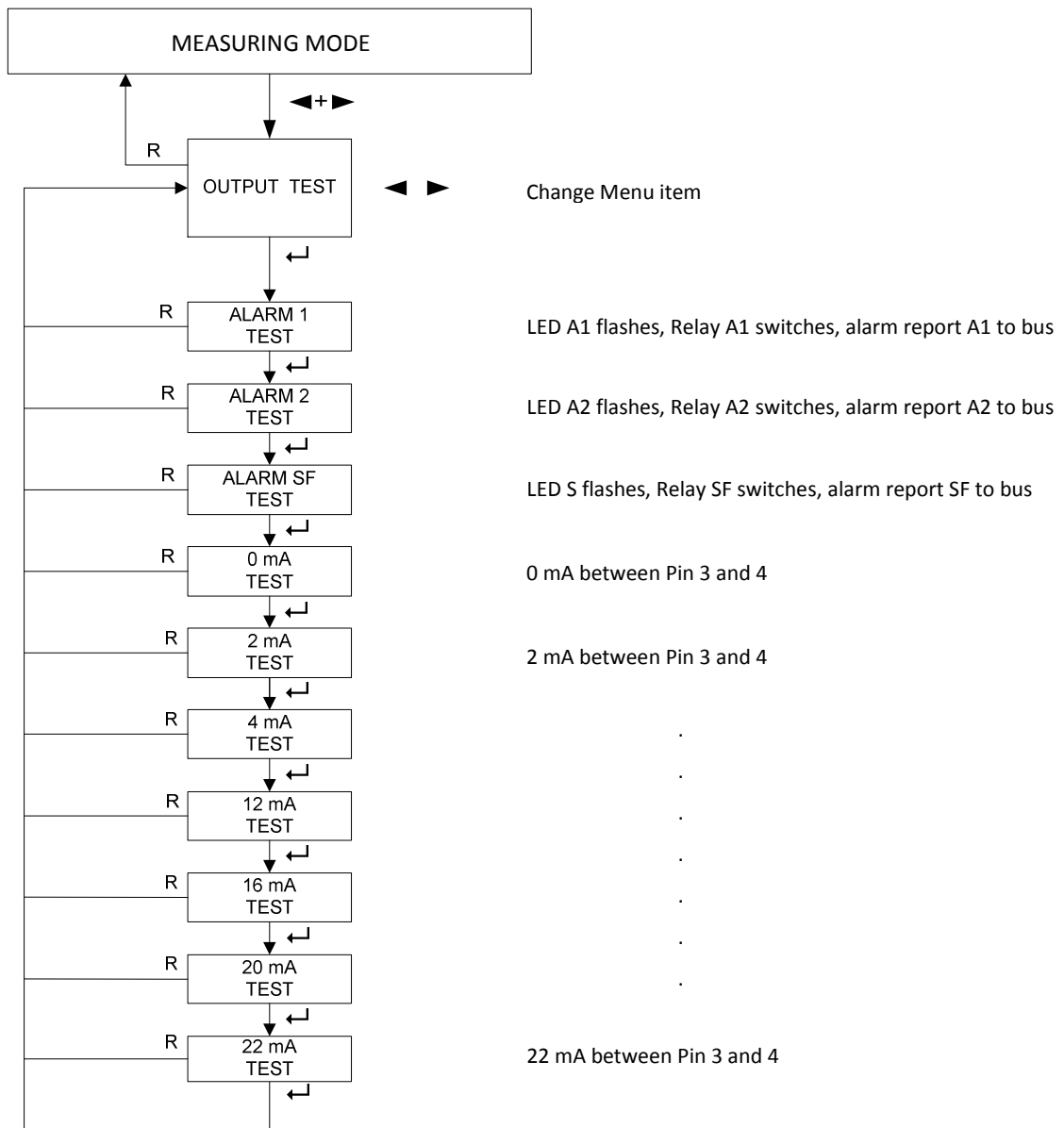
### 8.1 Functional test

This test can be performed in any operation mode (Control Module or Common Alarm Module). It tests the proper function of the LEDs, relays, analog output and bus.



Take care not to generate an alarm on peripheral devices unintendedly!

---



**Figure 19: Diagram functional test**

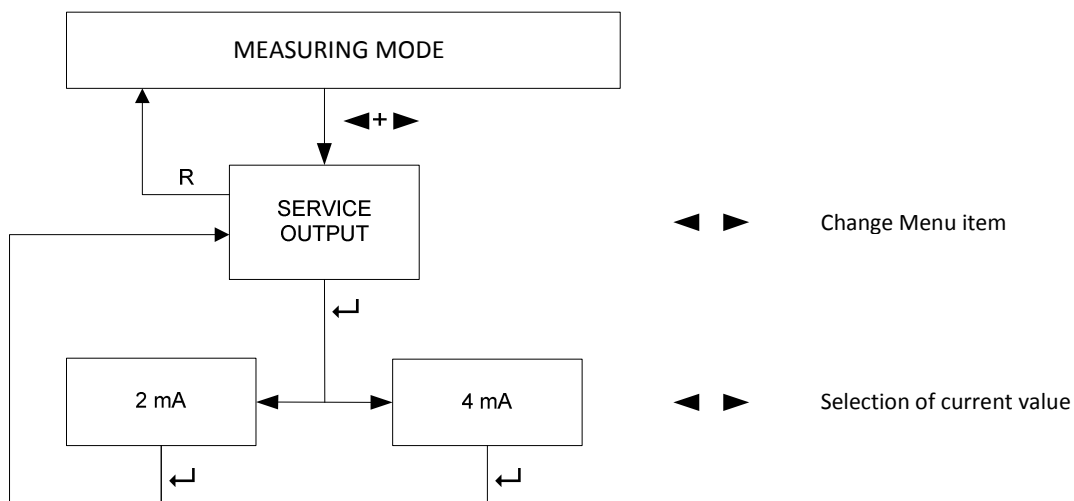
1. Enter the menu „OUTPUT TEST“ by pushing ↵.
2. Always push ↵ to continue with the next submenu.
3. With the last ↵ you will return to the main menu.
4. Push RESET to return to the measuring mode.

## 8.2 Current output in Service Mode

You can select which current the analog output generates in the service mode. The ex – works setting is 2 mA. The selected output current is conserved independent from selected program or operation mode.



If you operate the module as a SIL device EN 50402 or IEC 61508, 2 mA in service mode are mandatory.



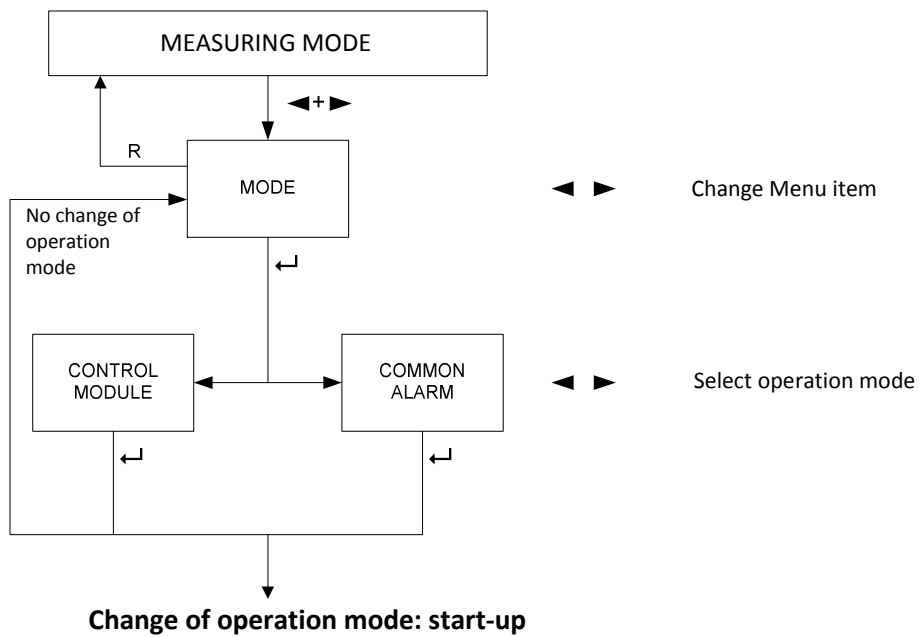
**Figure 20: Diagram service output**

1. Push ↵ to enter the „SERVICE OUTPUT“ menu.
2. The actual setting is shown on the display.
3. Select a new setting with ◀- or ▶.
4. Confirm with Enter.
5. Push reset to return to the measuring mode.

### 8.3 Changing the operation mode – Control Module or Common Alarm Module

The ex - works setting of the Statox 502 is Control Module. Please find detailed information for running the Statox 502 in Control Module mode in chapter 6.

Please find detailed information for running the Statox 502 in Common Alarm mode in chapter 7.



**Figure 21: Change of operation mode**

1. Push ◀ to enter the „Mode“ menu.
2. Select the desired mode with ◀- or ▶.
3. Confirm with Enter.
  - a) If you have changed the operation mode, the Statox 502 restarts in the new mode.
  - b) If you have **not changed** the operation mode, the Statox 502 returns automatically to the main menu. Push Reset to return to the measuring mode.

## 9 Connecting the sensor heads



The sensor head power supply must be OFF before connecting a sensor head! Short circuits on the terminals or selection of a wrong program may destroy the sensor head.

### Following sensor heads can be operated in voltage mode:

**Stattox 501 HRC, ARE, LCIR, MCIR and PID** for combustible gases, CO<sub>2</sub> and VOC.

Together with the two internal resistors of the Stattox 502 module the sensor forms a Wheatstone measurement bridge. A gas concentration-dependent resistor in the sensor leads to a change of the bridge voltage. This voltage in the mV range is evaluated by the Control Module.

The standard application is 3 wire mode. Beginning with 750 m length of cable Compur recommends to generally operate in the 5 wire mode. The two additional "sense" lines measure the sensor supply voltage and compensate for voltage drops due to long cable or extreme temperatures.

### Following sensor heads can be operated in current mode (4 - 20 mA transmitter):

**Stattox 501/S, Stattox 501 Infratox and Stattox 505.**

In transmitter mode the sensor signal is transferred directly to the analog output, according to the selected program, with 4 mA as the lower end of the measuring range and 20 mA as the end of scale.

The sensor heads **Stattox 501/S** and **Stattox 505** for toxic gases and oxygen are operated as 4 – 20 mA transmitters in 2 wire mode. The **Stattox 505** sensor head can be operated in 3 wire mode, too. This way you can differentiate between service mode (2 mA) and system failure (0 mA).

The sensor head **Stattox 501 Infratox** for combustible gases and CO<sub>2</sub> requires 3 or 4 wires for proper operation.

The sensor heads **Stattox 501/S** and **Stattox 505** must be operated in connection with an intrinsically safe repeater if they are installed in classified area, zone 1 or zone 2. Detailed information regarding the operation with intrinsically safe repeater can be found in the manuals of the corresponding sensor heads. Connect the shield of the sensor head cable to the grounding bar. Both, grounding bar and DIN Rail must be grounded.

Sensor head type	Signal	Measuring mode	Cable	
Stattox 501 HRC, ARE, LCIR, MCIR and PID	Voltage in mV: Non balanced bridge	Voltage mode	3 or 5	Figure 24
Stattox 501/S, Stattox 505	Current: 4 – 20 mA	Current mode	2 or 3	Figure 22
Stattox 501 Infratox	Current: 4 – 20 mA	Current mode	3 or 4 <sup>*)</sup>	Figure 23

<sup>\*)</sup> one or two ground wires

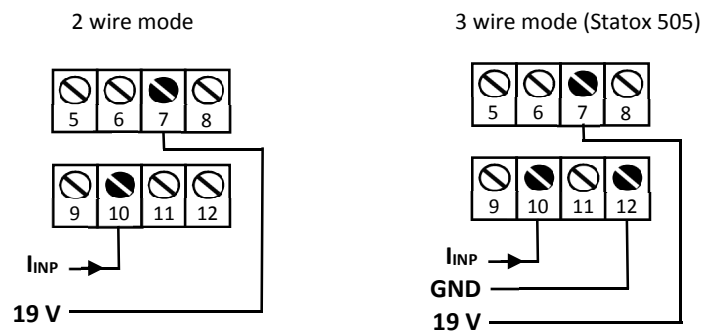


Figure 22: Connections sensor heads Stattox 501/S and Stattox 505

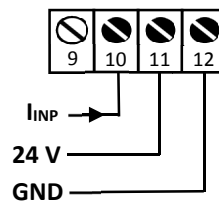


Figure 23: Connections sensor heads Stattox 501 Infratox

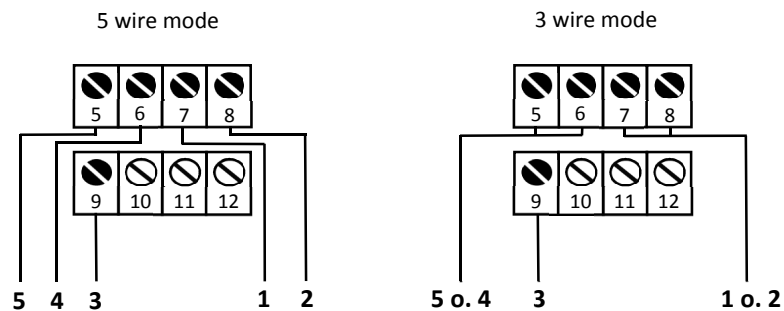


Figure 24: Connections sensor heads Stattox 501 HRC, ARE, LCIR, MCIR and PID

## 10 Status- and error messages

In case the display stays dark, check the polarity and the voltage of the power supply. The internal fuse may be damaged.



Replacement of the fuse by Compur service personnel only!

### 10.1 Status messages

Information	First line	Second line
Actual program	P R O G R A M	x x x
Password entry	C O D E	0 0 0 0
Wrong password	C O D E	I N V A L I D
Menu program selection	C H O O S E	P R O G R A M
Settings saved	S T O R E	
Menu relays settings alarm 1	A L A R M 1	R E L A Y
Menu relays settings alarm 2	A L A R M 2	R E L A Y
High alarm	H I G H	A L A R M
Low alarm	L O W	A L A R M
Reset – automatic alarm reset	A U T O	R E S E T
Reset – latching alarm	H O L D	
Relays active at alarm	A C T I V E	
Relays passive at alarm	P A S S I V E	
Procedure finished, settings saved	D O N E	
Menu sensor head power supply	S E N S O R	P O W E R
Sensor head power on	S E N S O R	O N
Sensor head power off	S E N S O R	O F F
Calibration routine	C A L I B .	R O U T I N E
Zeroing	Z E R O	A D J U S T M
Apply span gas	G A S	
Measurement during calibration	G A S	(Value) (Unit)
Plateau found	C A L I B .	F I N I S H E D
Enter span gas concentration	G A S C O N C	(Value) (Unit)
Enter response factor	F A C T O R	x . y y
Signal too low	C A L I B R .	F A I L E D
Menu bridge voltage	B R I D G E	V O L T A G E
Alarm 1 test	A L A R M 1	T E S T



Information	First line	Second line
Alarm 2 test	A L A R M 2	T E S T
System failure test	A L A R M S F	T E S T
Current output test (0 – 22 mA)	x x m A	T E S T
Menu functional test	O U T P U T	T E S T
4 - 20 mA Sensor head in the service mode	S E R V I C E	M O D E
Menu operation mode	M O D E	
Control module mode	C O N T R O L	M O D U L E
Common alarm module mode	C O M M O N	A L A R M
Common alarm, Alarm 1 or 2	C O M M O N	A L A R M X
No common alarms	C O M M O N	O K
Common alarm, System failure	C O M M O N	F A I L U R E
Zero found – apply span gas	A P P L Y	S P A N G A S
Setting current for service mode	S E R V I C E	O U T P U T
Actual firmware version	V E R S I O N	- x . y -
Start measuring mode	P L E A S E	W A I T . . .
2 mA current in the service mode	2 m A	
4 mA current in the service mode	4 m A	
This menu is not active in the current mode	M E N U N O T	A C T I V E
Program selection	S E L P R O G	x x x
Zeroing in process	0 0 0	
Span gas concentration out of range	G A S C O N C	E R R O R
(Alternating with measuring value) Using old calibration value	C A L I B .	F A I L E D
Actual bridge voltage	(-) x x x x	m V

## 10.2 Error messages

Many internal and external functions of Statox 502 are monitored for proper function. It can differentiate between critical and non - critical malfunctions. While critical errors always set the output current to zero, activate the system failure alarm relay and the LED „S“. Non - critical errors (such as operating errors during calibration, e.g. ERROR 6-8) have no impact on the status of the module.



If an error message occurs which is not described here, please contact your Compur service partner immediately.

Display	Nature	Description	Measures
<b>ERROR 1</b>	Critical	Short circuit in the sensor head cable (in voltage mode)	Check wiring and connections. Push Enter button.
<b>ERROR 2</b>	Critical	Cable interruption (in current mode)	Check wiring and connections. Automatic reset after error correction.
<b>ERROR 3</b>	Critical	Cable too long (only in voltage mode)	Check wiring and connections. Check selected program. Connect sensor head and push Enter button. Eventually change to 5 wire installation.
<b>ERROR 4</b>	Critical	Sensor power supply voltage cannot be controlled.	Push the Enter button. If error persists contact your Compur service partner.
<b>ERROR 5</b>	Critical	Cable interruption (only in voltage mode)	Check the sensor head power supply, connection and voltage. Connect sensor head and push Enter button.
<b>ERROR 6</b>	Non critical	Zero not found during time limit	Check connections. If gas is present use zero gas. Push the Enter button and try again. The old zero value remains valid.
<b>ERROR 7</b>	Non critical	Zero shift out of specifications.	Check if gas is present. Push the Enter button and try again. The old zero value remains valid. Eventually replace the sensor.
<b>ERROR 8</b>	Non critical	Sensor sensitivity too low. No gas found during calibration.	Check if gas is on and gas adapter tightly connected. Push ENTER and try again. The old gain value remains valid. Eventually replace the sensor.
<b>ERROR 10</b>	Critical	EEPROM writing error	Contact your Compur service partner
<b>ERROR 11</b>	Critical	EEPROM checksum error	Contact your Compur service partner
<b>ERROR 12</b>	Critical	EEPROM reading error	Contact your Compur service partner
<b>GAS CONC ERROR</b>	Non Critical	The result of gas concentration x response factor is out of range.	Check gas concentration and response factor entry. Eventually select another span gas concentration. Push the Enter button and try again. The old gain value remains valid. Eventually replace the sensor.
<b>CALIBR. FAILED</b>	Non Critical	The result of $\frac{\text{sensor signal}}{\text{gas concentration} \times \text{response factor}}$ is too low.	Check gas concentration and response factor entry. Eventually select higher span gas concentration. Push the Enter button and try again. The old gain value remains valid. Eventually replace the sensor.
<b>OFF</b>	Critical	Short circuit during ERROR 2	Check connections and wiring. Push the Enter button.

### 10.3 Control Module - Status diagram

Input from Sensor or transmitter	System Status	Current output	Bus signal	Display	LEDs				Relays		
					A1	A2	S	ON	A1 1)	A2 1)	SF
4-20 mA or bridge voltage	Normal	4 – 20 mA	---	Measuring value	OFF	OFF	OFF	ON	active	active	active
4-20 mA or bridge voltage	Alarm 1	4 - 20 mA	A1	Measuring value	ON	OFF 2)	OFF	ON	passive	active 2)	active
4-20 mA or bridge voltage	Alarm 2	4 - 20 mA	A2	Measuring value	OFF 2)	ON	OFF	ON	active 2)	passive	active
22 mA or mV over range	Over Range	22 mA	2)	Full scale flashing	2)	2)	OFF	ON	2)	2)	active
0 mA or Error status	System failure	0 mA	SF	Error code	OFF	OFF	ON	ON	active	active	passive
2 mA or Service Mode	Service Mode 3)	2 mA 1)	---	SERVICE MODE or menu	OFF	OFF	flashing	ON	active	active	active

- 1) Ex-works setting, can be changed by user.
- 2) Depending on actual alarm status.
- 3) Priority ranking: Service Mode > SF > (A1 / A2 / Over range)

### 10.4 Common Alarm Module - Status diagram

Bus input	System status	Current output	Display	LEDs 4)				Relays 4)		
				A1	A2	S	ON	A1 1)	A2 1)	SF
---	Normal	4 mA	COMMON OK	OFF	OFF	OFF	ON	active	active	active
A1	Alarm 1	12 mA	COMMON ALARM 1	ON	OFF	OFF	ON	passive	active	active
A2	Alarm 2	16 mA	COMMON ALARM 2	OFF	ON	OFF	ON	active	passive	active
SF	System failure	0 mA	COMMON FAILURE	OFF	OFF	ON	ON	active	active	passive
---	Service 4)	2 mA 1)	Menu	OFF	OFF	flashing	ON	active	active	active

- 1) Ex-works setting, can be changed by user.
- 4) The listed LED and relay status describes an isolated alarm event. In case of multiple alarm events combinations are possible.  
The priority ranking for display and current output is: Service Mode > A2 > A1 > SF

## 11 Maintenance

Perform periodically visual checks for damage and soiling. Check the cable connections for tightness on a regular schedule.

Take the modules for cleaning out of service! Use a slightly wet cloth. No sharp cleaning agents, solvents, and steam jet are allowed!

Maintenance procedures for sensor heads connected to the module are described in the relevant sensor head manuals. Calibrate the sensors at regular intervals.

## 12 Accessories

Description	Article number
Stattox 502 bus adapter set for 1 module	557002
Stattox 502 connection set for bus adapter	557003
Stattox 502 cabinet 400 x 300 x 150 mm LxWxD	557010

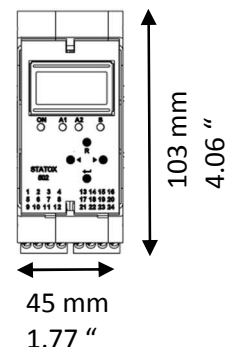
## 13 Functional Safety

When the Stattox 502 Control Module is used in combination with a Stattox 501 ARE or Stattox 501 HRC Sensor Head, the whole line has a SIL 2 - capability according IEC 61508. The relevant data have been verified by a FMEDA hardware assessment done by EXIDA.

Detailed information is given in the „Functional Safety Document Stattox 502“ which is available on request.

## 14 Technical Data

Product name:	Stattox 502 Control Module
Manufacturer:	COMPUR Monitors GmbH & Co. KG, D-81539 Munich
Power supply:	24 ± 2 VDC max. 200 mA
Power consumption:	max. 5 W
Current rating:	max. 8 A on communication bus
Operating temperature:	-10° C to +60° C (14°F to 140°F)
Storage temperature:	-30°C to +60°C (-22°F to 140°F)
Pressure:	900 to 1100 hPa
Humidity:	0% to 99% r. H. (non condensing)
Display:	2 Lines, 16 Segments
Housing:	Polyamide, protection class IP 20
Connections:	24 terminals, can take cable diameters up to 2.5 mm <sup>2</sup>
Relays:	2 x Alarm 1 x System failure
Relays contact:	250 VAC, 8A Min. burden ≥ 12V, 10 mA (contact material: silver-nickel 90/10)
System failure relay:	In normal operation active (coil active), make contact (NO) is closed
Analog output:	0 mA in case of system failure 2 or 4 mA in service mode, programmable 4 - 20 mA in measuring mode, tolerance ± 2 % at -10°C to + 50°C 22 mA at over range
Max. Burdon:	700 Ohm
Installation:	35 mm DIN-Rail
CE-Marking:	EN 61326-1:2013
Functional safety:	SIL 2 capability according to IEC 61508 in combination with Stattox 501 ARE or HRC sensor head
Weight:	260 g



Dimensions (H x W x D): 45 x 103 x 115 mm (1.77 x 4.06 x 4.52 ")

## 15 Declaration of conformity

---

**EU- DECLARATION OF CONFORMITY**

---

**COMPUR**  
Monitors**Compur Monitors GmbH & Co.KG****Weißenseestraße 101****D 81539 München**

as the manufacturer hereby declares, that the

**Stattox 502 Control Modul, Type 5378**

complies with the essential requirements of the following directives and has been tested according to European standards:

**Directive 2014/30/EU****EN 61326-1:2013**

Munich, 01-19-2015



B. Rist, General Manager



Specifications are subject to change without notice, and are provided only for comparison of products. The conditions, under which our products are used, are beyond our control. Therefore, the user must fully test our products and/or information to determine suitability for any intended use, application, condition or situation. All information is given without warranty or guarantee. Compur Monitors disclaims any liability, negligence or otherwise, incurred in connection with the use of the products and information. Any statement or recommendation not contained herein is unauthorized and shall not bind Compur Monitors. Nothing herein shall be construed as a recommendation to use any product in conflict with patents covering any material or device or its use. No license is implied or in fact granted under the claims of any patent. Instruments are manufactured by Compur Monitors GmbH & Co. KG, Munich. The General Conditions of Supply and Service of Compur Monitors GmbH & Co. KG are applicable.

Compur Monitors GmbH & Co. KG  
Weissenseestrasse 101  
D-81539 München  
Phone: +49 (0) 89 62038 268  
Fax: +49 (0) 89 62038 184  
Internet: [www.compur.com](http://www.compur.com)  
E-Mail: [compur@compur.de](mailto:compur@compur.de)